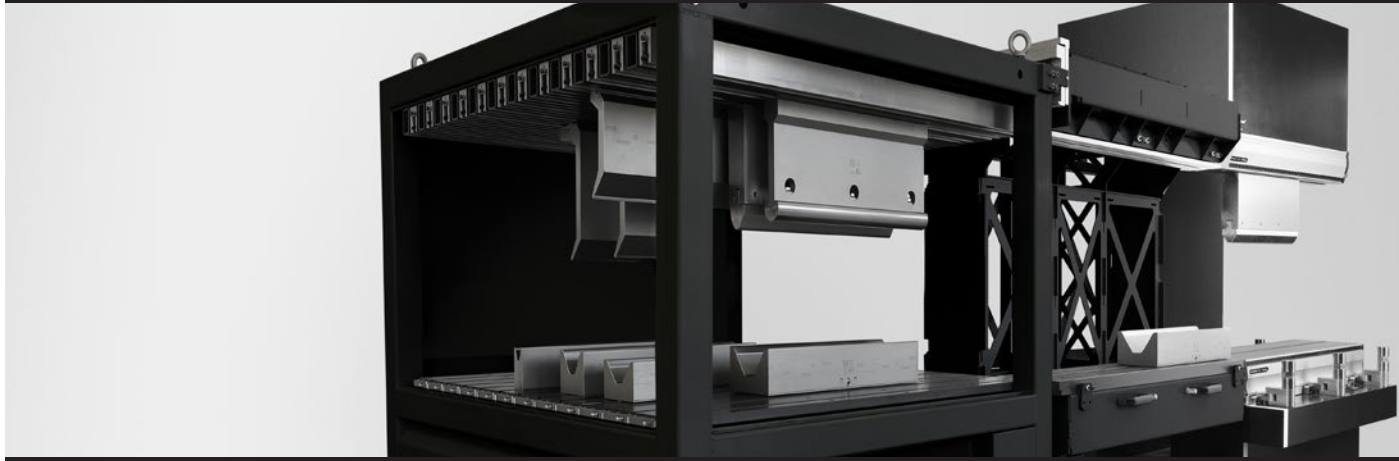


**TOOL STORAGE SYSTEMS**

# **PRESS BRAKE PRODUCTIVITY COMPONENTS®**



# TOOL STORAGE SYSTEM

## Storage convenience to maximize Press Brake Productivity

Our vision is simple but powerful: We Live Press Brake Productivity! Everything we do is driven by this vision and focused on making the sheet metal industry more productive.

To achieve this, we think beyond the development and optimization of (new) products. The safe exchange and organized storage of tools is also an important step towards maximizing productivity. Our Press Brake Productivity ToolStation and Press Brake Productivity Cabinet are excellent examples.

The Press Brake Productivity ToolStation offers fast tool change time while also improving ergonomics for the press brake operator. In addition, The Press Brake Productivity Cabinet was developed for storing tools in an organized and compact way while also protecting them from potential damage.



*Press Brake Productivity ToolStation*

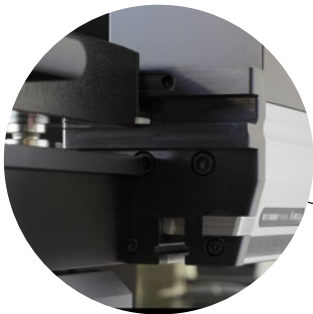


*Press Brake Productivity Cabinet*

# PRESS BRAKE PRODUCTIVITY TOOLSTATION<sup>®</sup>

The Press Brake Productivity ToolStation has been specifically designed to safely change and store (heavy) New Standard<sup>®</sup> tooling. Tool changing and storage operates on its best, when using upper and lower tools, equipped with WILA's E2M<sup>®</sup> bearing system. The loading arm, on which the required tools are rolled back and forth, is attached to a (heavy duty) guide rail. This creates a very stiff and stable transfer arrangement that ensures perfect alignment between the loading arm and the upper and lower tools. This guarantees safety and convenience when moving the tooling from the loading arm into the press brake.

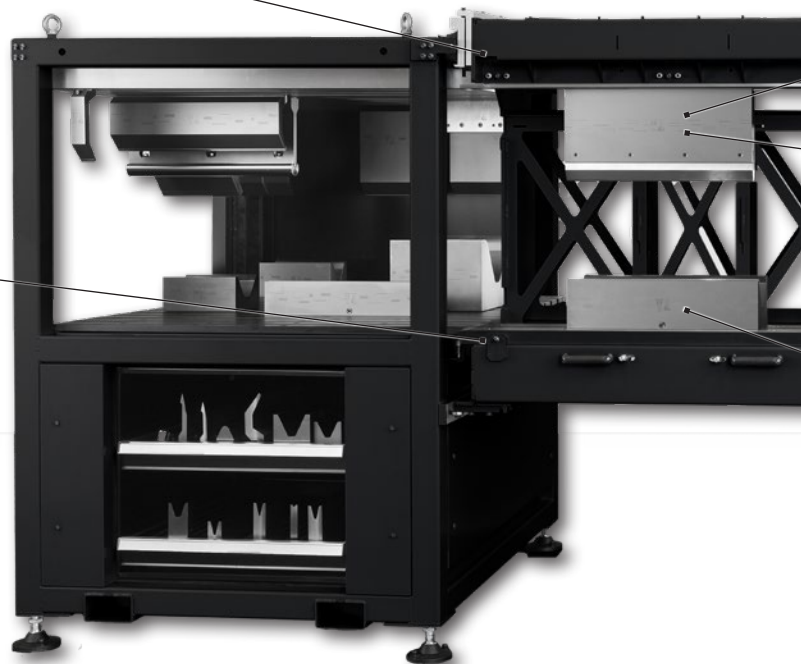
Due to required safety and construction modifications to the press brake it is only possible to order a ToolStation via a press brake manufacturer.



*Each upper Tool Holder, used in combination with a Press Brake Productivity ToolStation, requires a dedicated guard with a safety mechanism for safe loading and unloading of the top tools (with E2M<sup>®</sup>). The movable load/unload arm will lock and unlock the guard.*



*Each lower Tool Holder, used in combination with a Press Brake Productivity ToolStation, requires a dedicated guard with a safety mechanism for safe loading and unloading of the bottom tools (with E2M<sup>®</sup>). The movable load/unload arm will lock and unlock the guard.*



## STANDARD

ToolStation with 1 load/unload arm (left) for top and bottom, length appr. 1150 mm  
Dimensions approx 2500 mm x 1500 mm (floor plan incl. arm)  
Height of load surface for dies is adjustable between 940 mm and 1065 mm  
Daylight opening 490 mm  
Guards to suit WILA made New Standard® Premium HC Tool Holders  
Storage capacity 12 meter of punches and 12 meter of dies  
Upper storage and load/unload arm equipped to support E2M® centric  
Max. weight on load/unload arm 250 kg (100 top and 150 bottom)  
Loading and unloading possible at all storage positions  
Tooling area achievable from 3 sides  
Usable for New Standard® tools with max. width 300 mm (centric against centerline)  
Color 'WILA black'  
Loading and unloading possible at all storage positions

## OPTIONAL

Other daylight openings  
2 drawers in front of ToolStation to load extra tooling (max. load 200 kg each)  
Support rail under load/unload arm  
Additional ToolStation module, without load/unload arm  
Color according customers request  
ToolStation load/unload arm on right side  
2 rolling shutters (one in front and one opposite load/unload arm)  
Illumination, positioned in upper section



*ToolStation comes equipped for 'Gooseneck' shaped New Standard® top tools with extra side adjustment making it extremely easy and safe to exchange.*



*All ToolStations are equipped for New Standard® top tools (with E2M®) making it extremely easy and safe to exchange.*



*All ToolStations are equipped for New Standard® bottom tools (with E2M®) making it extremely easy and safe to exchange.*

# PRESS BRAKE PRODUCTIVITY CABINET

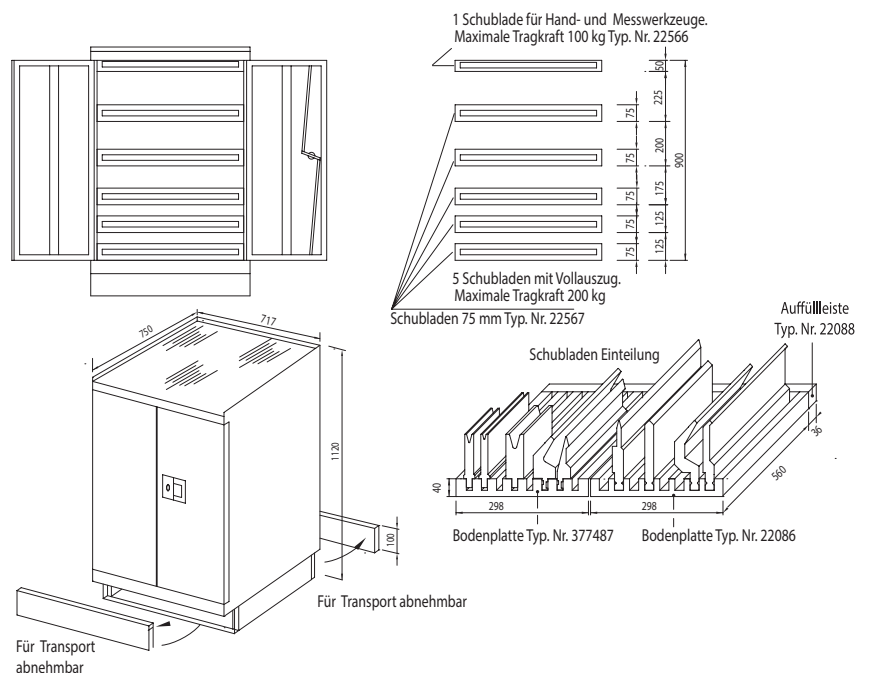
In order to be able to store tools in an organized and safe way, WILA has put on the market its Press Brake Productivity Cabinet.

These tool cabinets are delivered standard with:

- 1 shallow drawer, bearing capacity of 100 kg, to store measuring tools etc.
- A base with removable kick plates front and back to allow for easy movement with fork-lift or pallet truck.
- A tiling guard, so that only 1 drawer at a time can be opened.
- Lockable doors.
- A black rubber mat on top.
- 5 drawers with perforated bottom, bearing capacity of 200 kg each.  
The distance between the drawers can be adjustable easily in steps of about 25 mm.
- The arrangement of the tool drawers can be adjusted according to the tools to be stored.
- Each drawer has two bottom plates made from practically indestructible nylon with milled slots designed especially to hold vertically all WILA tools according to their adaption widths. Each drawer also includes one nylon spacer plate.
- WILA has 3 bottom plates in the program.
  - Bottom plate type no. 377487 suitable for the OZU lower tools of the complete New Standard<sup>®</sup> program, and the BIU top tools of the American Style and American Vintage programs with AS II adaption.
  - Bottom plate type no. 22086 suitable for the BIU top tools of the complete New Standard<sup>®</sup> program.
  - Bottom plate type 22084 suitable for American Style top tools with AS I adaption.
  - Drawers, bottom and spacer plates (type no. 22088) can be delivered separately.



WILA has more cabinet arrangements available, more information can be received upon request.



## **WILA. THE PRESS BRAKE PRODUCTIVITY PEOPLE.**

WILA is totally focused on providing a line of products and support systems to maximize the productivity of your press brakes. For over 85 years, WILA has specialized in Clamping Systems, Crowning Systems and Tooling and Accessories to reduce set-up time and improve accuracy of the press brake. Through strong partnerships with the world's leading press brake manufacturers, an extensive and trained dealer network, long experienced regional managers, dedicated application support and engineering staff, WILA is always close at hand to support your needs.

### **WILA B.V.**

P.O. box 60

NL-7240 AB Lochem

The Netherlands

Phone +31 (0)573 28 98 00

Phone sales +31 (0)573 28 98 50

E-mail: [info@wila.nl](mailto:info@wila.nl)

[www.wila.nl](http://www.wila.nl)

 **WILA**  
SINCE 1932  
THE PRESS BRAKE PRODUCTIVITY PEOPLE